

Alpha count

A1b class B
kWh energy meter



Class B

45A

3 year
warranty



TECHNICAL SPECIFICATION

Accuracy class according EN50470-3

Accuracy class according IEC62053-21

Voltage AC Un

Voltage range

Current Ib(I_{max})

Starting current

Power consumption

Frequency

Operating temperature

Storage temperature

AC voltage withstand

Impulse voltage withstand

Overcurrent withstand

Display

Max. reading

Pulse output rate

Degree of protection

Enclosure material

Mounting

Class B

Class 1

230V

80-120% Un

5(45)A

0.4% of Ib

less than 2W/10VA

50Hz

-25 +55°C

-40 +55°C

4kV for 1 minute

6kV-1.2μS waveform

20I_{max} for 0.01s

LCD

99999.9kWh

1000imp/kWh

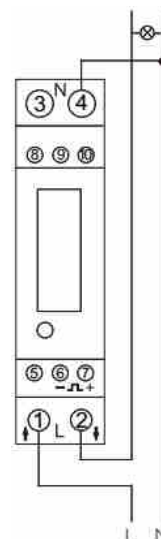
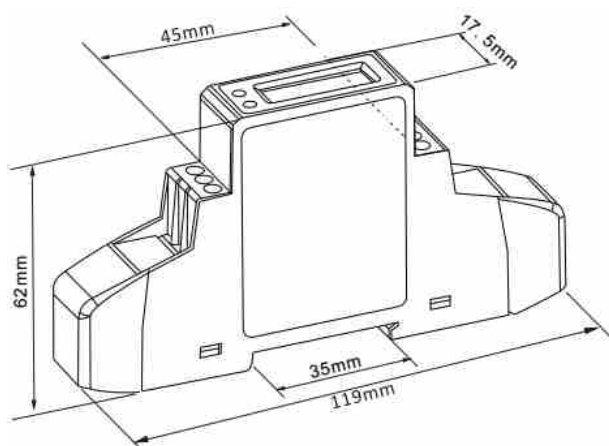
IP51

thermal plastic UL94V-0

35mm din-rail



A1b
1 phase 2 wire
energy meter



Alpha count

A3b class B kWh energy meter



Class B

100A

3 year
warranty



TECHNICAL SPECIFICATION

Accuracy class according EN50470-3

Accuracy class according IEC62053-21

Voltage AC Un

Voltage range

Current Ib(I_{max})

Starting current

Power consumption

Frequency

Operating temperature

Storage temperature

AC voltage withstand

Impulse voltage withstand

Overcurrent withstand

Display

Max. reading

Pulse output rate

Degree of protection

Enclosure material

Mounting

Class B

Class 1

3x230/400V

80-120% Un

10(100)A

0.4% of Ib

less than 2W/10VA

50Hz

-25 +55°C

-40 +55°C

4kV for 1 minute

6kV-1.2μS waveform

30I_{max} for 0.01s

LCD with backlit

999999.9kWh

1000imp/kWh

IP51

thermal plastic UL94V-0

35mm din-rail



A3b
3 phase 4 wire
energy meter

